

## ROUND BOTTOM INCLINE CONVEYORS

---

### Head Features:

- Computer aided modular bolt together design
- CNC manufactured
- 10-8-5 gauge standard galvanized construction
- Heavy duty pillow block bearings
- Heavy duty drive sprocket
- Removable inspection cover
- Dust seals

### Trough features:

- Computer aided modular bolt together design
- CNC manufactured
- 10 gauge galvanized sides
- 10-8-5 gauge galvanized bottoms available
- UHMW return rollers
- Pre-assembled trunk sections
- Optional abrasion resistant steel liners for bottom and sides

### Tail Features:

- Computer aided modular bolt together design
- CNC Manufactured
- 10-8-5 gauge standard galvanized construction
- Heavy duty pillow block bearings
- Heavy duty sprocket
- Acme screw slack adjusters
- Removable inspection covers
- Dust seals

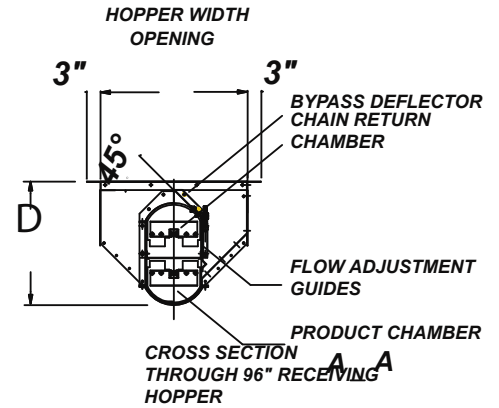
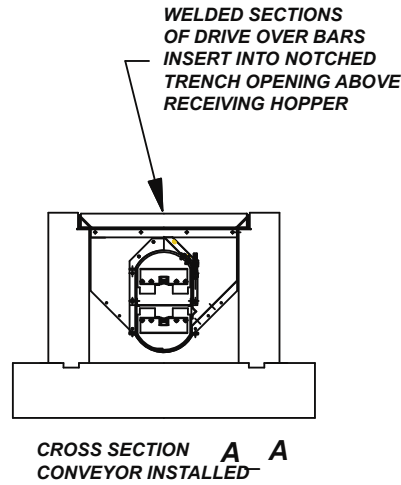
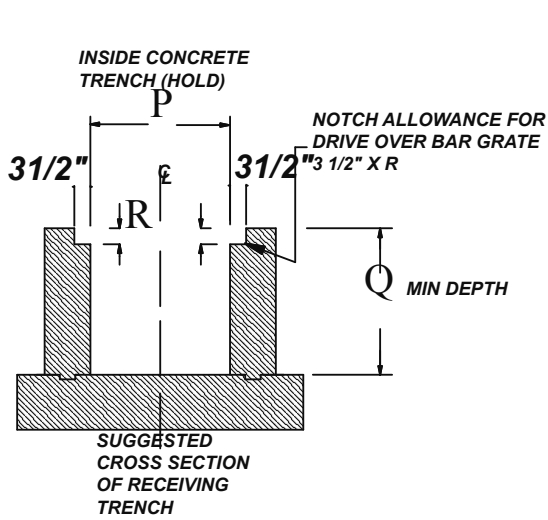
# ROUND BOTTOM INCLINE CONVEYORS

---



BPH	DRAG SIZE	RPM	FPM
1,000	GLID-09x14	34	74
1,500	GLID-09x14	54	110
2,100	GLID-09x14	71	154
2,500	GLID-09x14	85	185
3,100	GLID-12x14	69	155
3,400	GLID-12x14	78	170
3,900	GLID-12x14	90	195
4,000	GLID-17x20	29	99
5,000	GLID-17x20	36	124
6,000	GLID-17x20	43	149
7,000	GLID-17x20	50	174
7,000	GLID-24X24	26	106
8,000	GLID-24X24	29	121
9,000	GLID-24X24	33	134
10,000	GLID-24X24	37	152

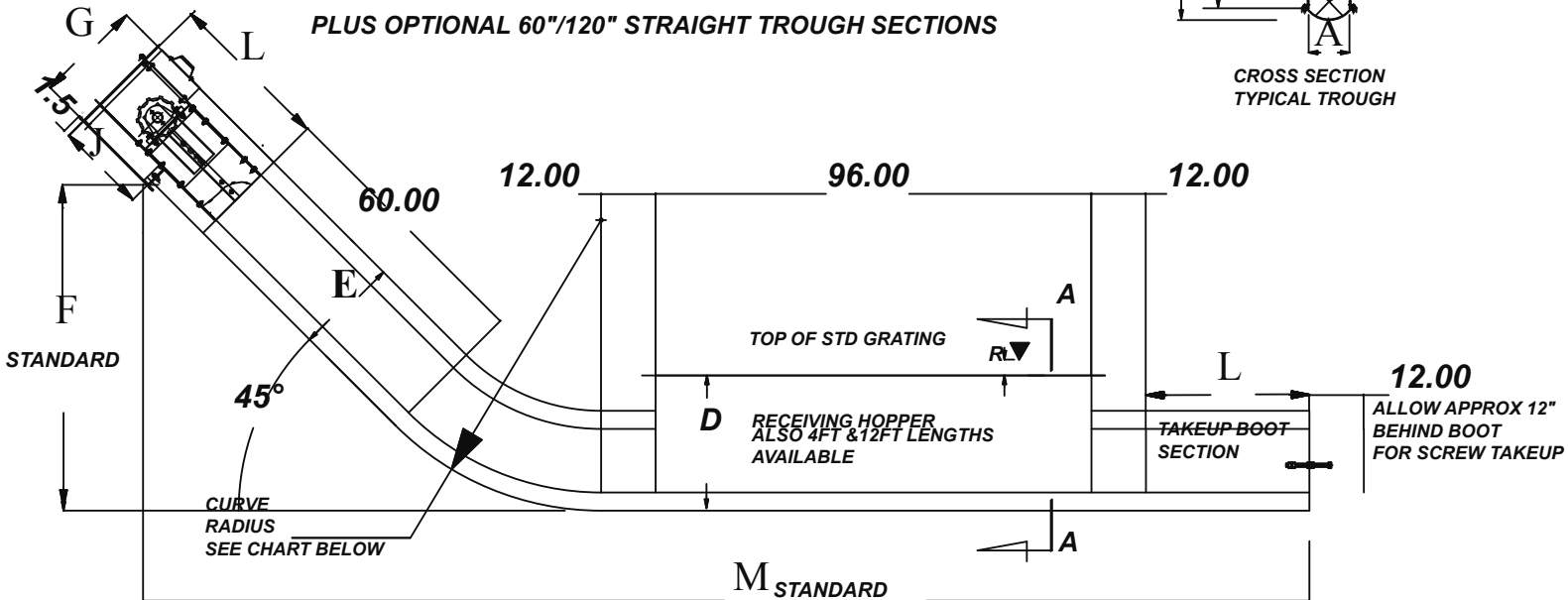
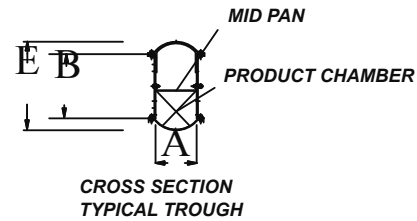
	9X14	12 X 14	17 X 14	17 X 20	24 X 24
Radius	62"	64"	72"	78"	78"
A	9"	12"	17"	17"	24"
B	14"	14"	14"	20"	24"
C	29"	32"	41"	41"	51"
D	25.5"	30"	35"	41"	
E	19.3"	22"	27"	33"	
F	72.5"	75"	74"	79"	
G	21.3"	23.5"	30"		
J	20"	20"	23"	30"	
L	36"	37.5"	37.5"	44"	
M	257"	257"	262"	273"	
P	30.5"	33.5"	42.5"	42.5"	
Q	36"	36"	42"	48"	
R	3.5"	3.5"	3.5"	3.5"	
S	36"	37.5"	37.5"	45.5"	



STANDARD BASIC UNIT LENGTH  
 PLUS OPTIONAL 60"/120" STRAIGHT  
 LENGTHS  
 ANGLE OF CURVE CAN BE ADJUSTED IN 5 DEGREE  
 INCREMENTS UP TO 50 DEGREE

HEAD SECTION  
 R/H OR L/H  
 DRIVE OPTIONS

CENTRE PAN THROUGH FULL LENGTH OF CONVEYOR  
 PLUS OPTIONAL 60"/120" STRAIGHT TROUGH SECTIONS



ALL INCLUDED IN BASIC LIST PRICE