

ROUND BOTTOM LEVEL CONVEYORS

Head Features:

- Computer aided modular bolt together design
- CNC manufactured
- 10-8-5 gauge standard galvanized construction
- Heavy duty pillow block bearings
- Heavy duty drive sprocket
- Removable inspection cover
- Dust seals

Trough features:

- Computer aided modular bolt together design
- CNC manufactured
- 10 gauge galvanized sides
- 10-8-5 gauge galvanized bottoms available
- UHMW return rollers
- Pre-assembled trunk sections
- Optional abrasion resistant steel liners for bottom and sides

Tail Features:

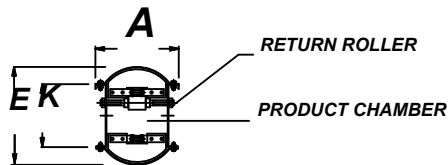
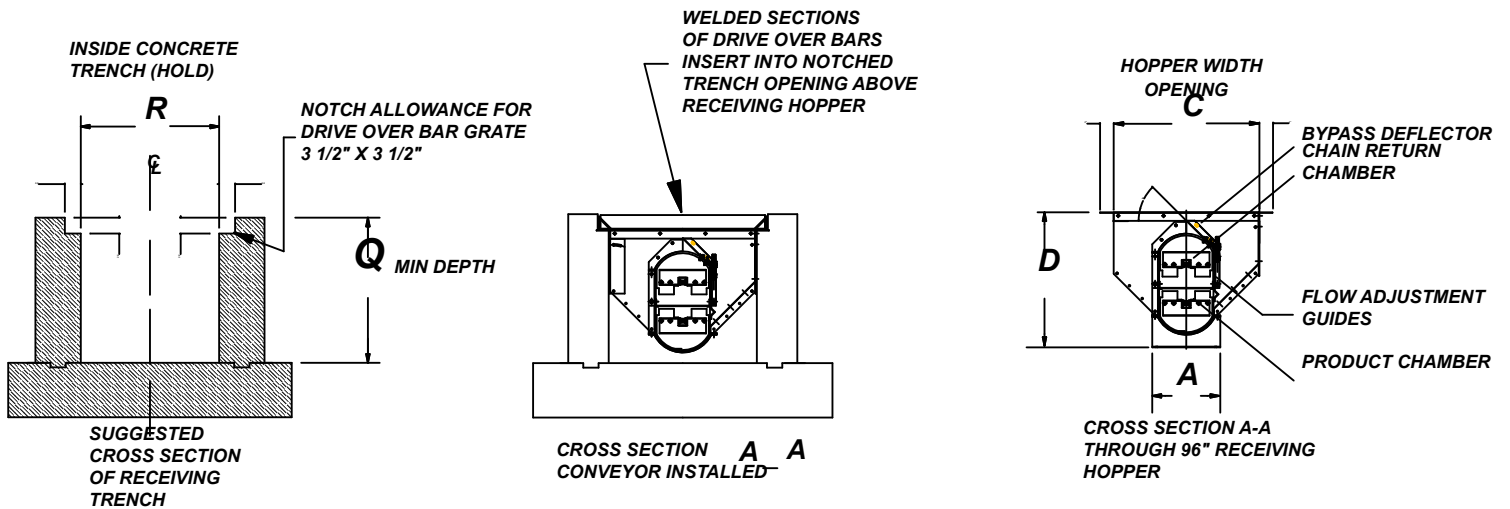
- Computer aided modular bolt together design
- CNC Manufactured
- 10-8-5 gauge standard galvanized construction
- Heavy duty pillow block bearings
- Heavy duty sprocket
- Acme screw slack adjusters
- Removable inspection covers
- Dust seals

ROUND BOTTOM LEVEL CONVEYORS



| BPH | DRAG SIZE | RPM | FPM |
|--------|-----------|-----|-----|
| 1,000 | GLR-09X9 | 37 | 64 |
| 1,500 | GLR-09X9 | 55 | 95 |
| 2,000 | GLR-09X9 | 74 | 128 |
| 2,500 | GLR-09X9 | 92 | 160 |
| 3,000 | GLR-09X9 | 109 | 189 |
| 3,000 | GLR-09X17 | 31 | 95 |
| 4,000 | GLR-09X17 | 41 | 126 |
| 5,000 | GLR-09X17 | 51 | 158 |
| 6,000 | GLR-09X17 | 61 | 189 |
| 6,000 | GLR-12x17 | 46 | 142 |
| 7,000 | GLR-12x17 | 54 | 165 |
| 8,000 | GLR-12x17 | 61 | 189 |
| 8,000 | GLR-16x17 | 46 | 145 |
| 9,000 | GLR-16x17 | 52 | 160 |
| 10,000 | GLR-16x17 | 57 | 177 |

| | 9X9 | 9 X 17 | 12 X 17 | 16 X 17 |
|---|--------|--------|---------|---------|
| A | 12 | 12 | 15 | 19 |
| B | 18 7/8 | 26 7/8 | 30 3/4 | 30 3/4 |
| C | 30 | 30 | 30 | 30 |
| D | 20 5/8 | 3 1 | 34 | 33 1/8 |
| E | 11 7/8 | 22 3/4 | 25 3/8 | 27 1/2 |
| F | 34 1/2 | 34 1/2 | 35 1/2 | 37 |
| H | 12 | 12 | 12 | 16 |
| J | 20 | 20 | 24 | 25 1/2 |
| K | 9 1/4 | 17 1/4 | 17 1/4 | 17 1/4 |
| L | 19 | 19 | 19 | 19 |
| M | 4 1/4 | 4 1/4 | 6 | 6 |
| N | 42 | 42 | 42 | 42 |
| P | 22 3/8 | 22 3/8 | 25 | 25 |
| Q | 29 | 36 | 41 | 41 |
| R | 33 | 33 | 33 | 33 |



OPTIONAL RECEIVING HOPPER 96"
ALSO 24", 48" & 144" LENGTHS
AVAILABLE

