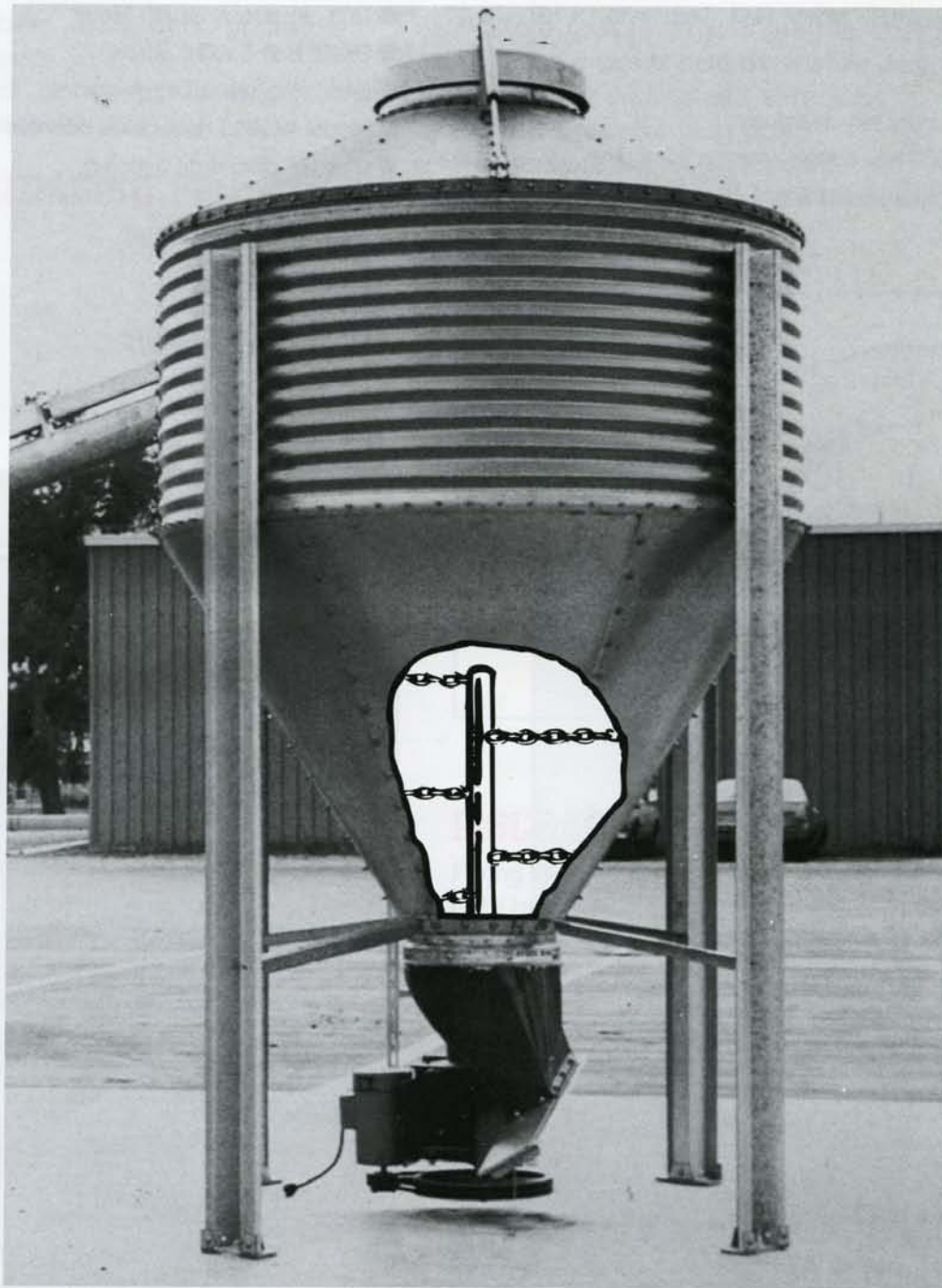


FLYING DUTCHMAN HOPPER BIN UNLOADER



FLYING DUTCHMAN, INC.

6631 Egypt Rd., Smithville, Ohio 44677

Shaft Size 1½"

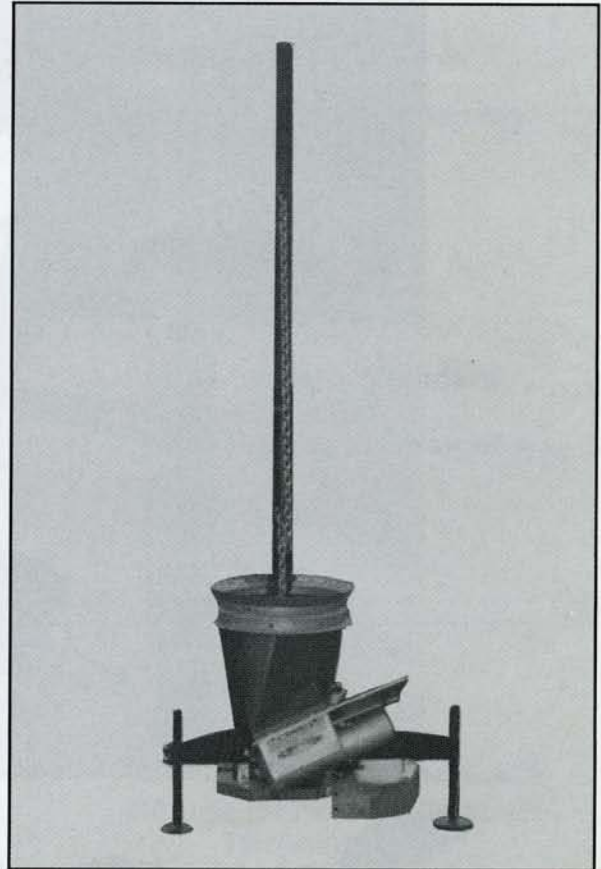
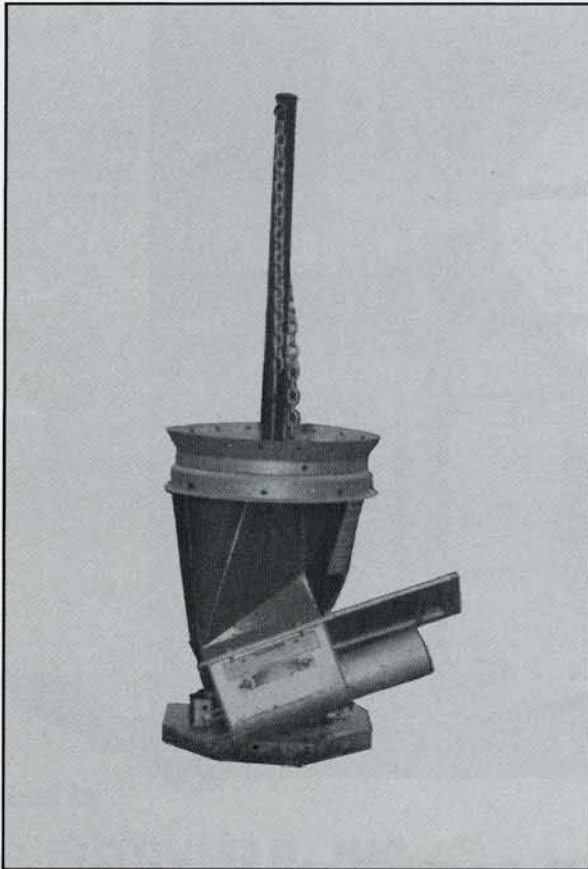
Model #40820

- For bins from 6'-7' in diameter (1 Ring)
- Stem extends upward in the bin 34"
- Central post rotation: 300 RPM approx.
- Unit requires a 1HP Motor; H.M. Corn units-1½ HP motor
- Drive: Belt
- 24¾" min. under bin clearance
- Model #40820 has a slide opening flo-control
- 6" x 10" discharge opening

Shaft Size 2"

Model #40805

- For bins from 6'-9' in diameter
- Stem extends upward 6' 2"
- Central post rotation: 104 RPM approx.
- Unit requires a 1½ HP Motor
- Drive: Belt & roller chain
- 24¾" min. under bin clearance
- Model #40805 has a slide opening flo-control
- 6" x 10" discharge opening



(Collars & auger boots shown on 40820 and 40805, are not supplied from Flying Dutchman. Available from Bin Manufacturers.)

FLYING DUTCHMAN HOPPER BIN UNLOADERS...

IDEAL FOR:

- Farm bins — beef, dairy, pork, poultry
- Feed mill systems
- Automatic and Computer feeding systems
- Truck loading set-ups

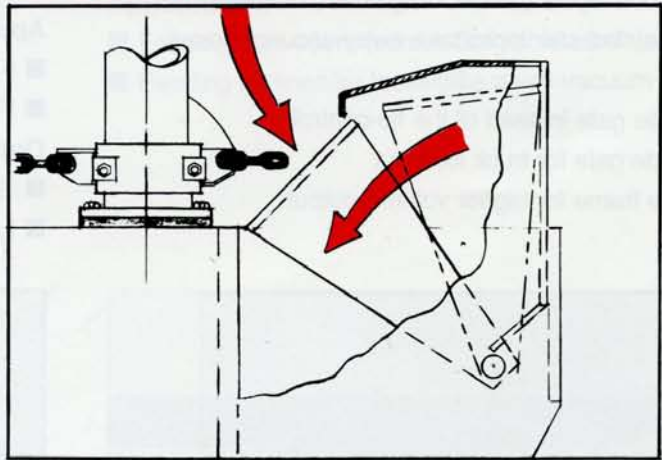
INCLUDE UNLOADING FOR:

- | | |
|--|------------------------|
| Bone Meal | High Moisture Corn |
| Bran | ground ear & shelled |
| Brewer's Grain | Hulls |
| Chicken Feed | cottonseed, rice, etc. |
| Concentrates | Meat Scraps |
| Cottonseeds | Molasized Grain |
| Dairy Feed | Pellets |
| Fish Meal | Soybean Meal |
| Ground Foods —
breads, chocolates,
cookies, etc. | Wheat Mids |
| High Fat Feeds | |

FLO CONTROL MEANS:

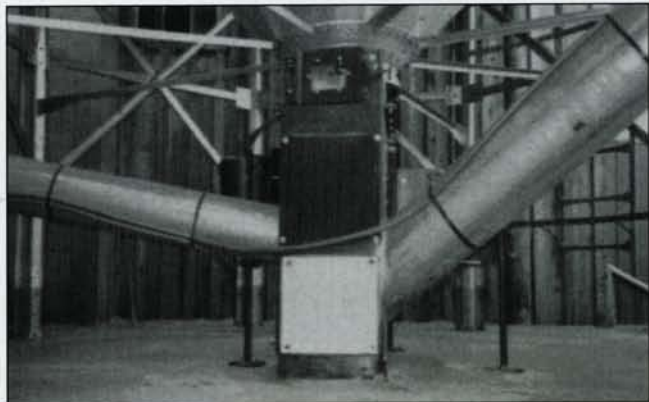
- More uniform flow of feed discharge
- Loose material held back while cutters continue cutting and shredding
- Helps prevent plug ups
- Excellent for blend feeding
- Can be used for all materials

UPPER FLO-CONTROL



DISCHARGE HOPPERS/CHUTES:

Flying Dutchman Bin Unloaders can provide both high volume and automatic unloading to discharge conveyors. Multiple conveyors can also be accommodated for.





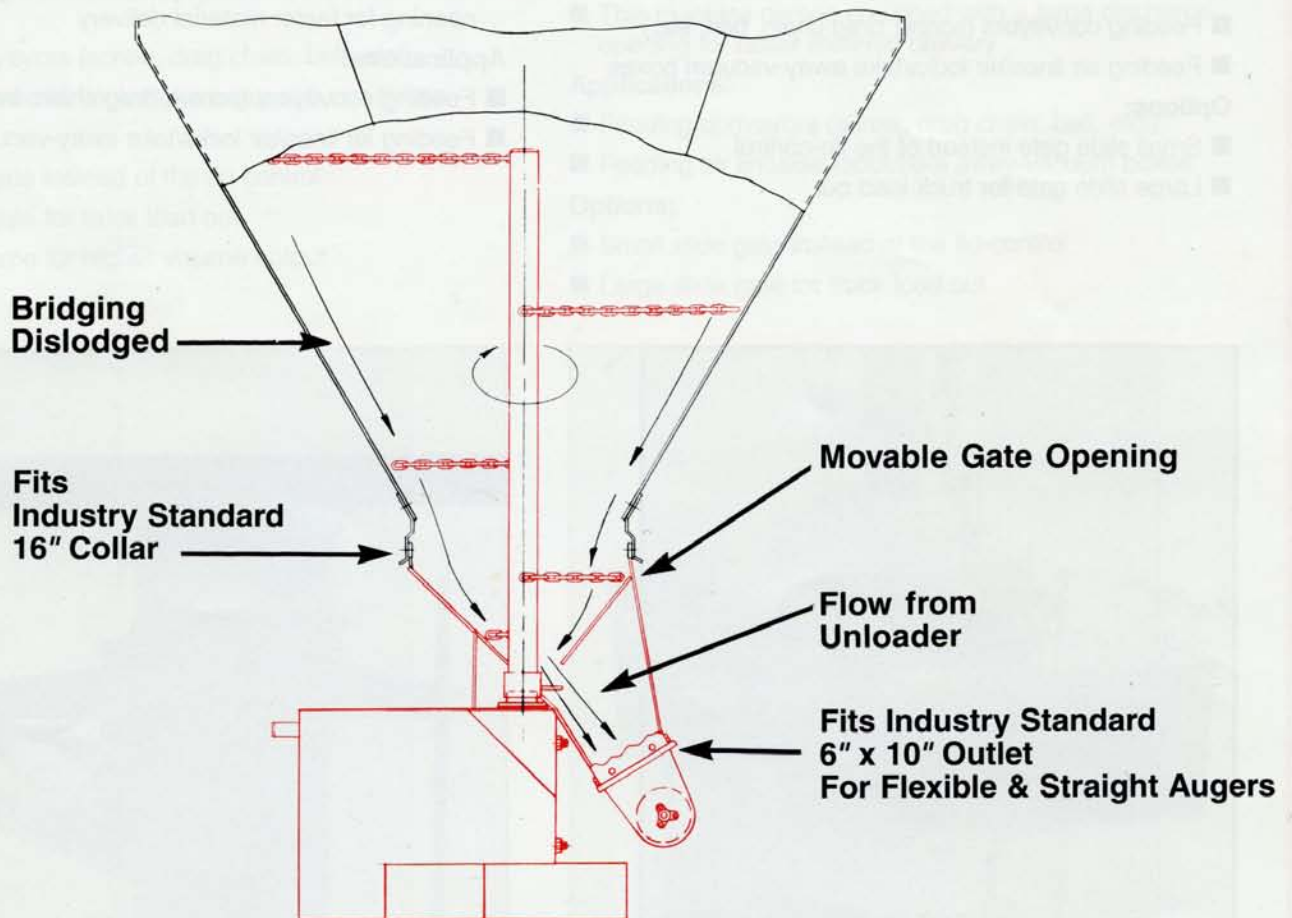
FLYING DUTCHMAN HOPPER BIN UNLOADER



The simplicity of design and operation of the FLYING DUTCHMAN BIN UNLOADER makes it a favorite with owners. The motor rotates the pole, chains and specially designed cutters [(2" and 3" shaft) at approximately 80 to 100 R.P.M. (1½" shaft) at 300 R.P.M.] digging the material loose.

The length and spacing of the case hardened chain is designed to form a funnel

which automatically directs material to the center discharge opening. The chains dig from the center and leave the outside to support the mass weight of material above. The top cutters continue cutting back the supporting column to within 4 inches of the wall, the column then gradually crushes allowing entire mass of material to move downward.



Manufactured by

FLYING DUTCHMAN, INC.

6631 Egypt Road, Smithville, OH 44677 USA

Phone (330) 669-2297 • FAX (330) 669-2892

E-mail: sales@flyingd.com • www.flyingd.com

Dealer:

Les Equipements Dussault

410, route 133 Pike-River QC J0J 1P0

Tél.: (450) 248-3383

Fax: (450)248-7006