

Conventional Auger

Models :: 7", 8", 10" and 13"

bühler



Exceptional quality, proven design

Buhler Farm King has been building a wide range of grain handling equipment for decades. These grain augers have endured rigorous testing on farms across North America and have been refined to represent durability, reliability and value. Several sizes and lengths are available, with various drive options and numerous built-in features.

Well-designed, well-built

The gearbox, featuring left- or right-side drive, is positioned to allow the auger to reach deeper into the bin. The ductile casting houses quality oil seals, ball bearings and casehardened, forged gears, meaning the auger runs smoothly and requires less power. 8", 10" and 13" models are available with an optional reverse shift gearbox. Double fighting intake has a brass bushing on all conventional auger intake guards.

The narrow safety guard and removable clevis hitch improve access to bins with small auger ports. A storage bracket holds the clevis hitch when not in use.

Drive options

Several drive options are available, including direct PTO, belt-drive PTO, gas engine drive, and electric motor drive matched to a belt or direct drive. Belt-drive engine models are equipped with a self-leveling motor mount and a self-tensioning belt system. Belt guards are included.

The top drive is housed in a sealed oil bath and features a chain-tightener. The components in the sealed oil bath are resistant to heat, dust, debris and moisture, reducing maintenance and enhancing the longevity of the chain and sprockets. The top drive uses #60 roller chain on the 7" and most 8" models, while #80 roller chain is used on the 861, 10" and 13" models.

From the ground up

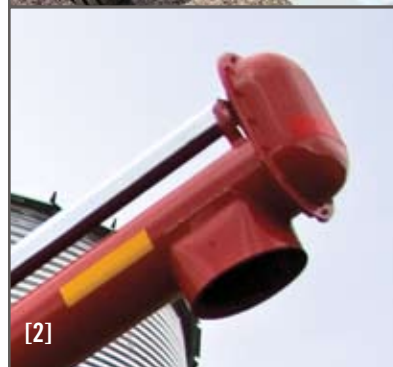
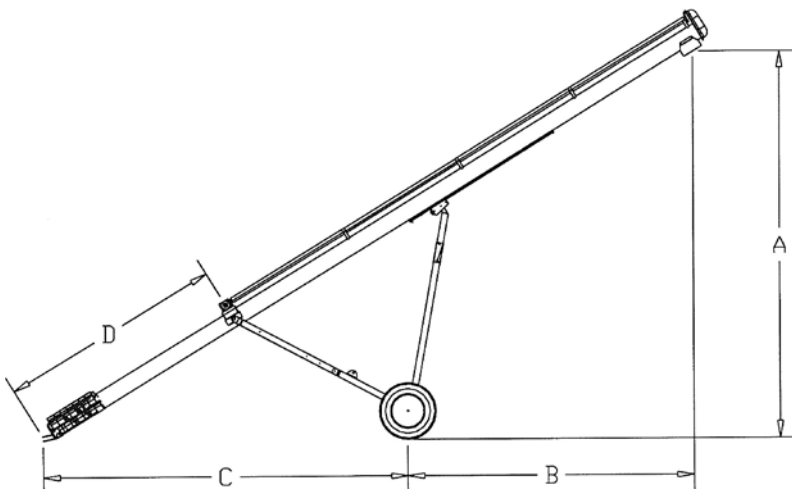
The wide stance of the undercarriage improves stability and is constructed with square tubes to enhance strength and durability. In addition to being well balanced, the undercarriage features automotive-type hubs and bearings that improve ease of handling. Reliable safety clutch winches are included.

[1] The optional light kit features a quick-connect coupler that easily connects to most tractors.

[2] The top drive is housed in a sealed oil bath, which increases resistance to heat, dust, debris and moisture.

[3] The double fighting intake increases grain flow. A narrow safety guard and removable clevis hitch improve access to bins with small auger ports.

[4] The wide stance of the undercarriage improves stability and is constructed using square tubes to enhance strength and durability.





bühler

301 Mountain Street South
Morden :: Manitoba Canada R6M 1X7
Ph.: 204.822.4467 :: Fax: 204.822.6348
Toll Free: 888.524.1004
E-mail: info@buhler.com
www.buhler.com

TSX:BUI

Equipment shown is subject to change without notice.
©2008 Buhler Manufacturing. Printed in Canada.
Ref: 022008-5000-PG